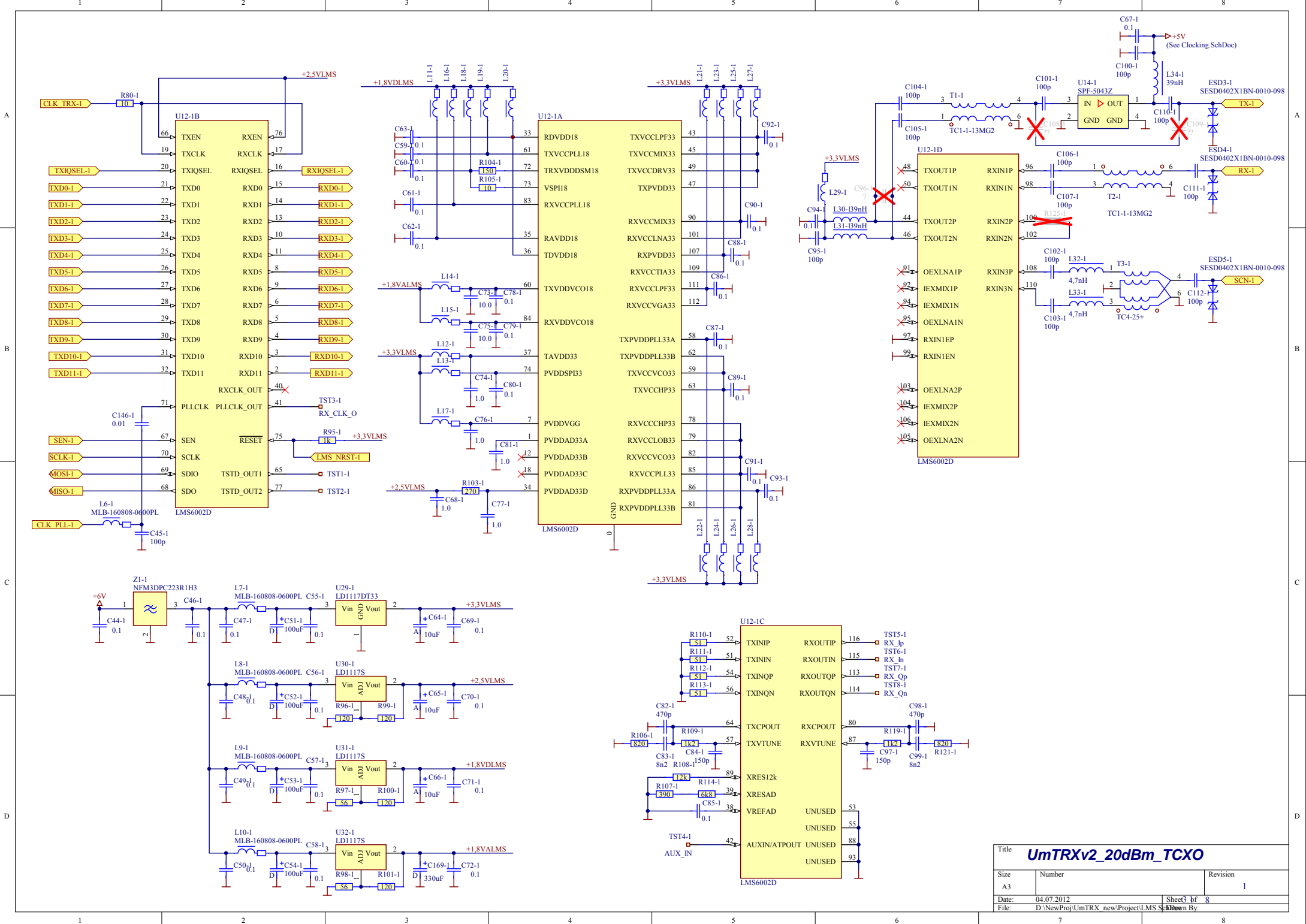
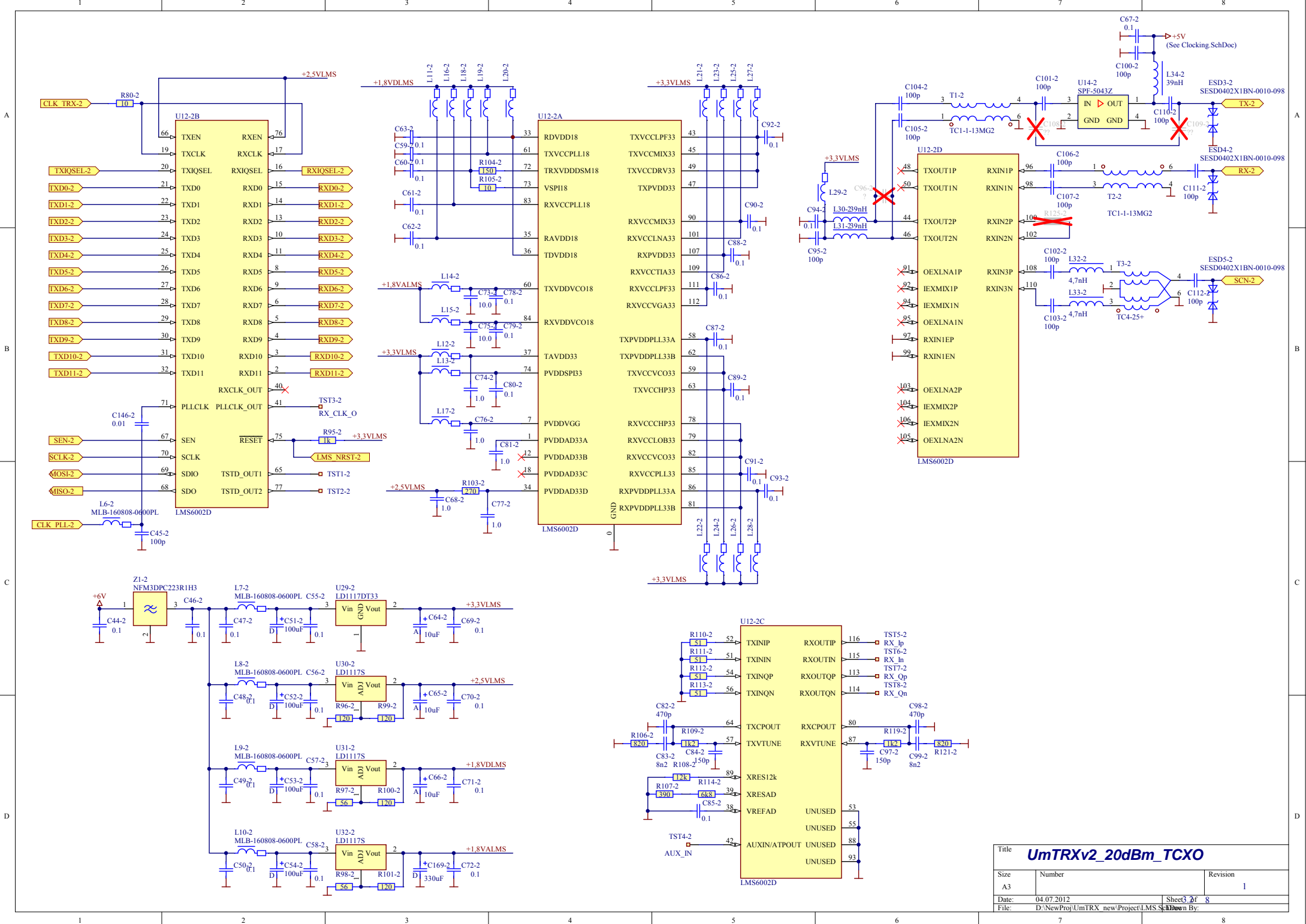


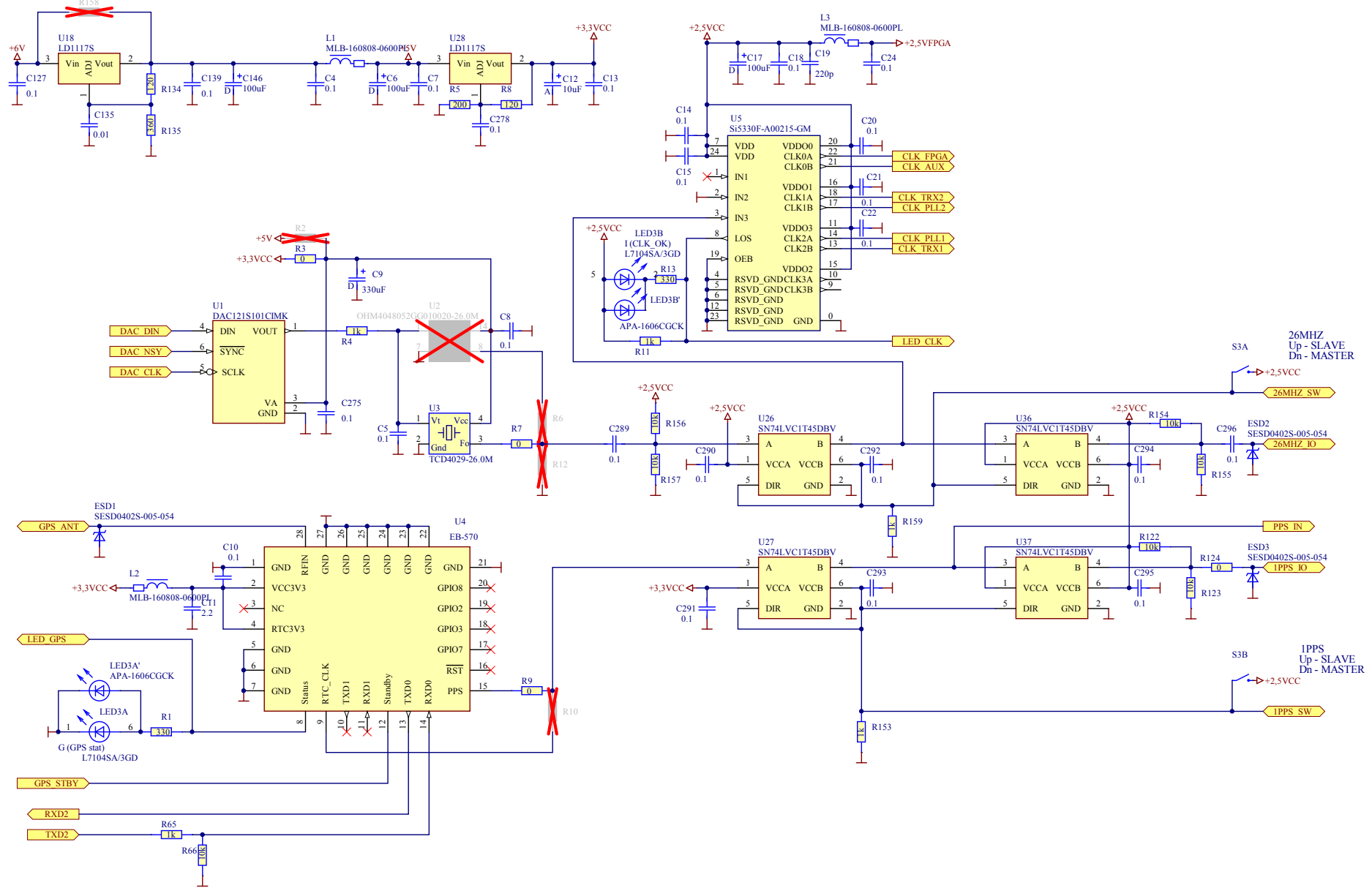
Title		
UmTRXv2_20dBm_TCXO		
Size	Number	Revision
A3		1
Date:	04.07.2012	Sheet 1 of 8
File:	D:\NewProj\...\Total_SchDoc	Drawn By:



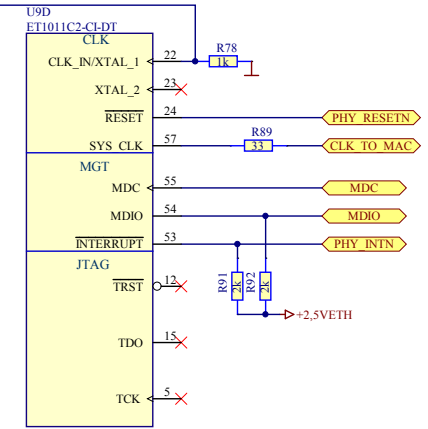
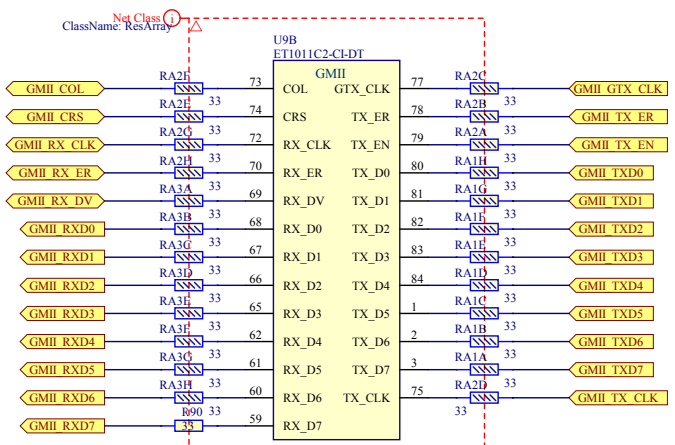
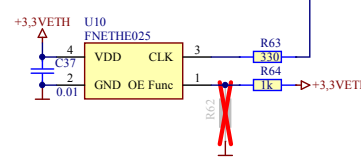
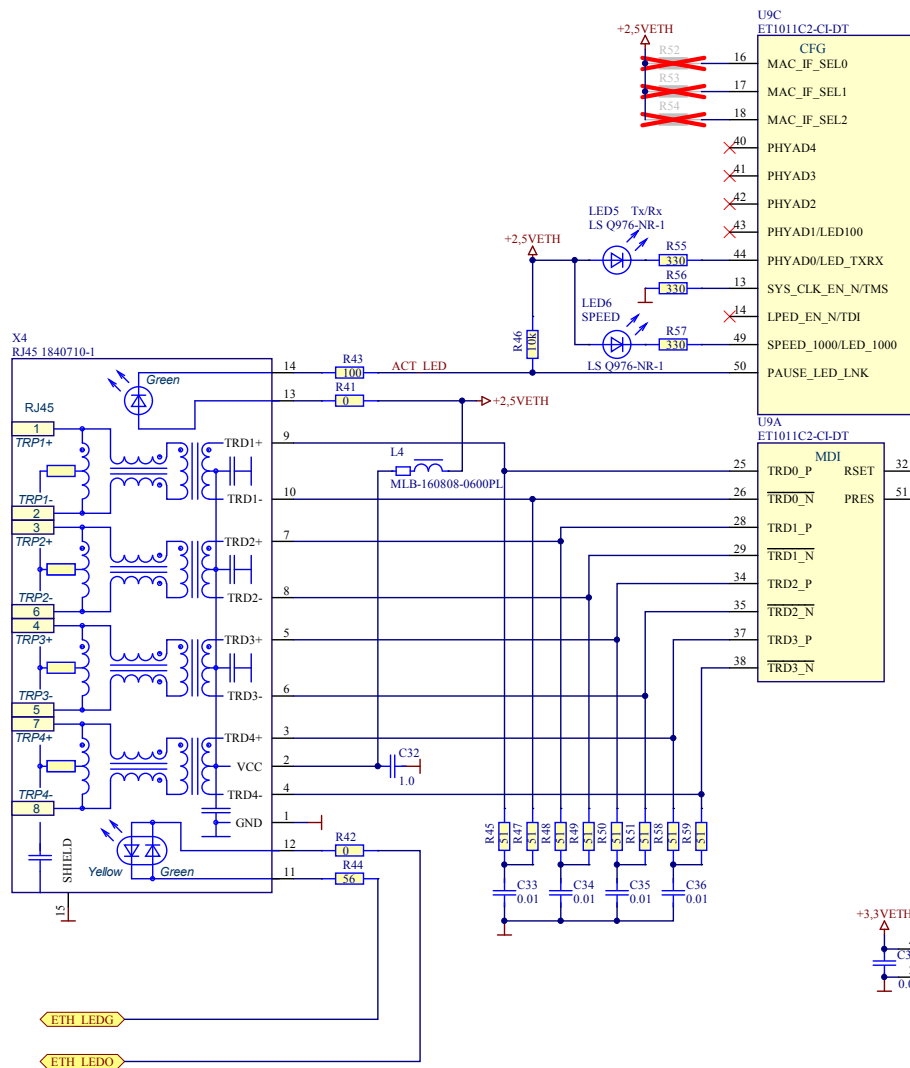
Title		
UmTRXv2_20dBm_TCXO		
Size	Number	Revision
A3		1
Date:	04.07.2012	Sheet3_bf 8
File:	D:\NewProj\UmTRX_newProject\LMS_Sch\Drawn By:	



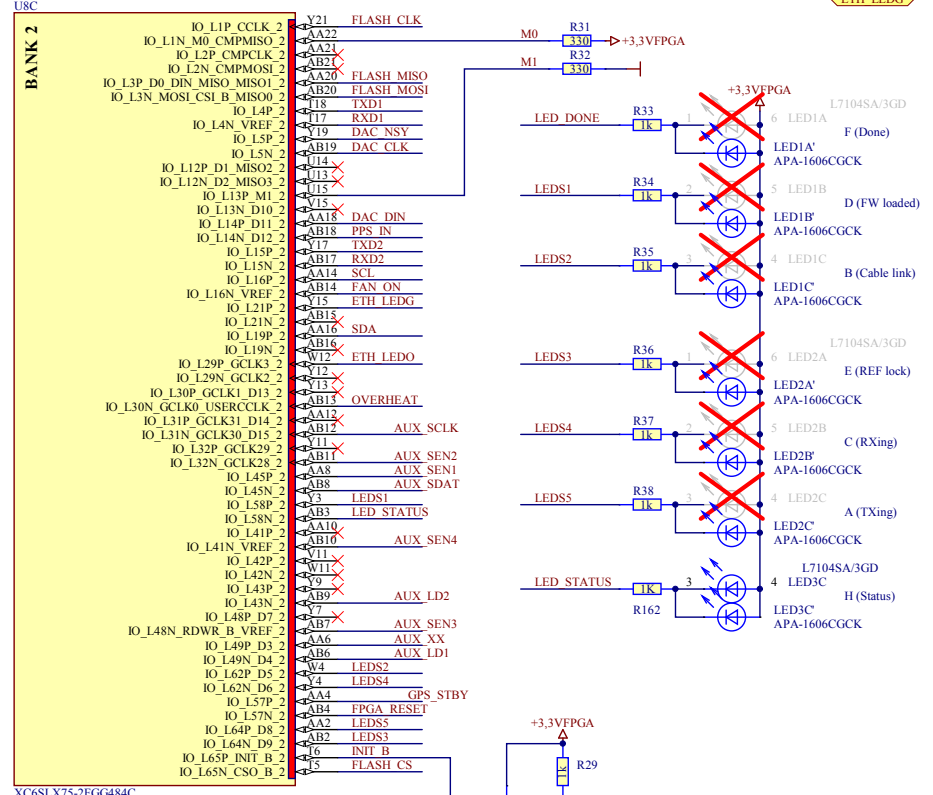
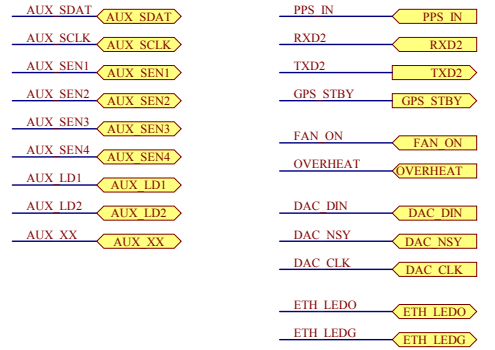
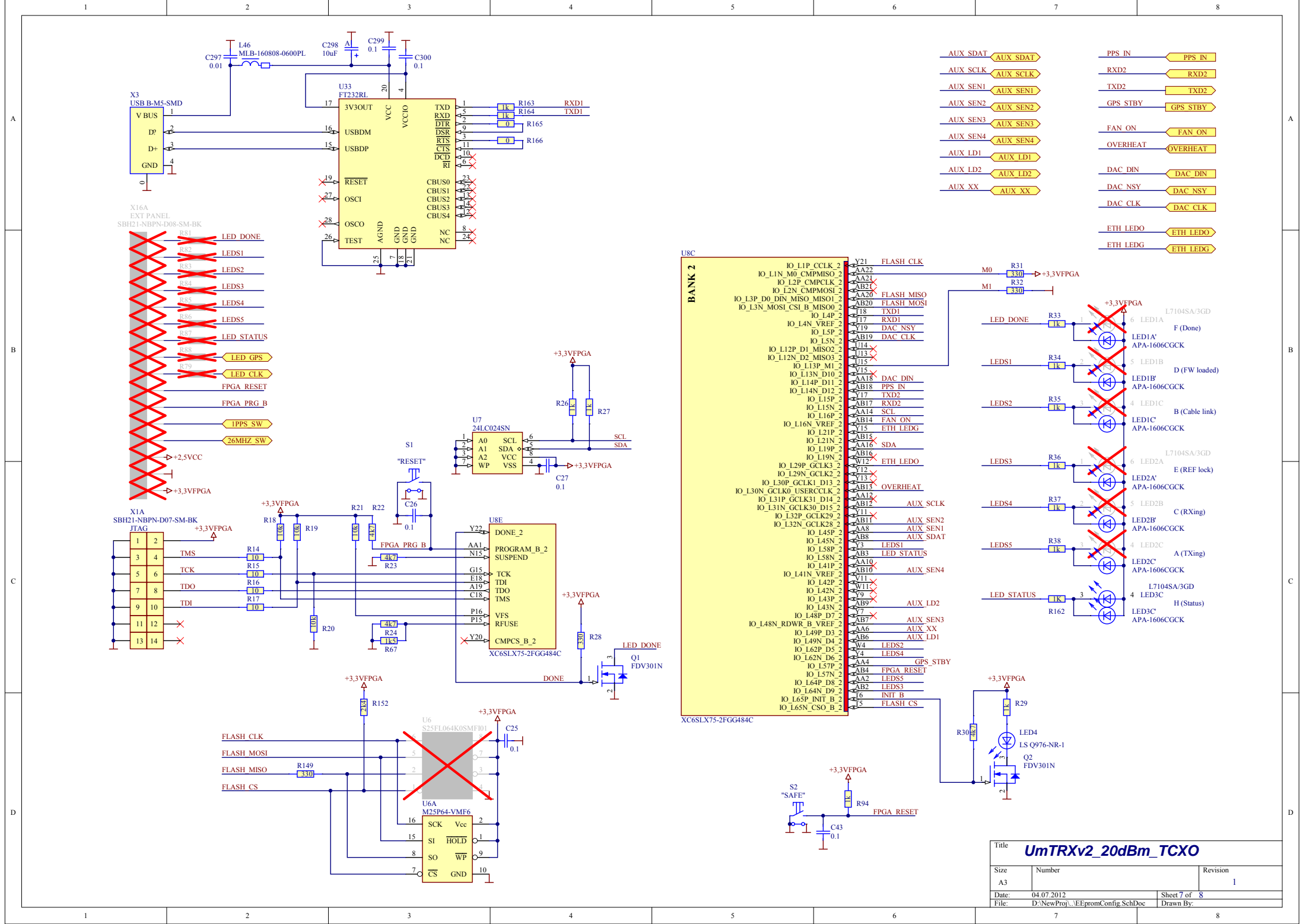
Title		
UmTRXv2_20dBm_TCXO		
Size	Number	Revision
A3		1
Date:	04.07.2012	Sheet3 of 8
File:	D:\NewProj\UmTRX_newProject\LMS_Sch\Drawn By:	



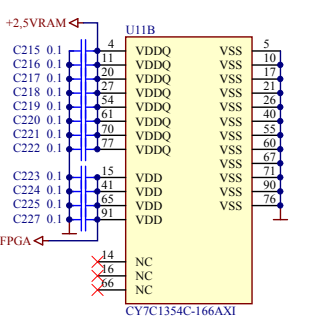
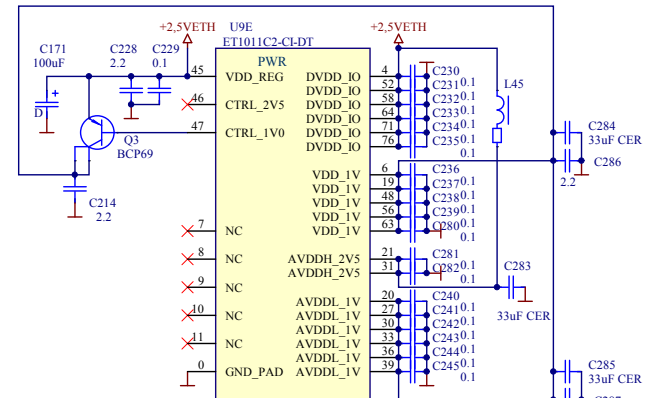
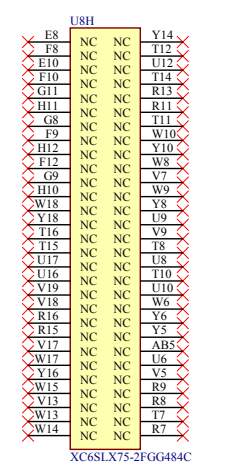
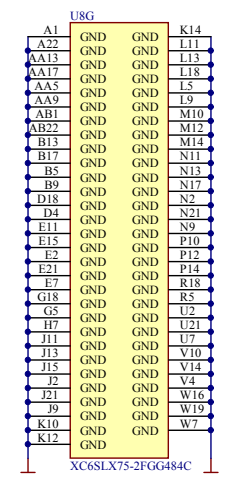
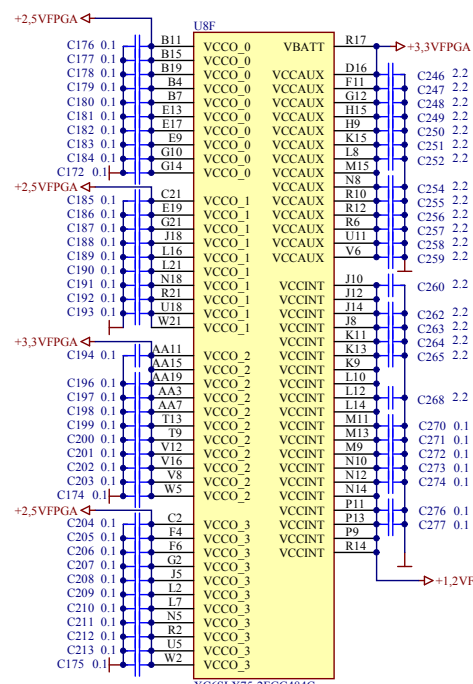
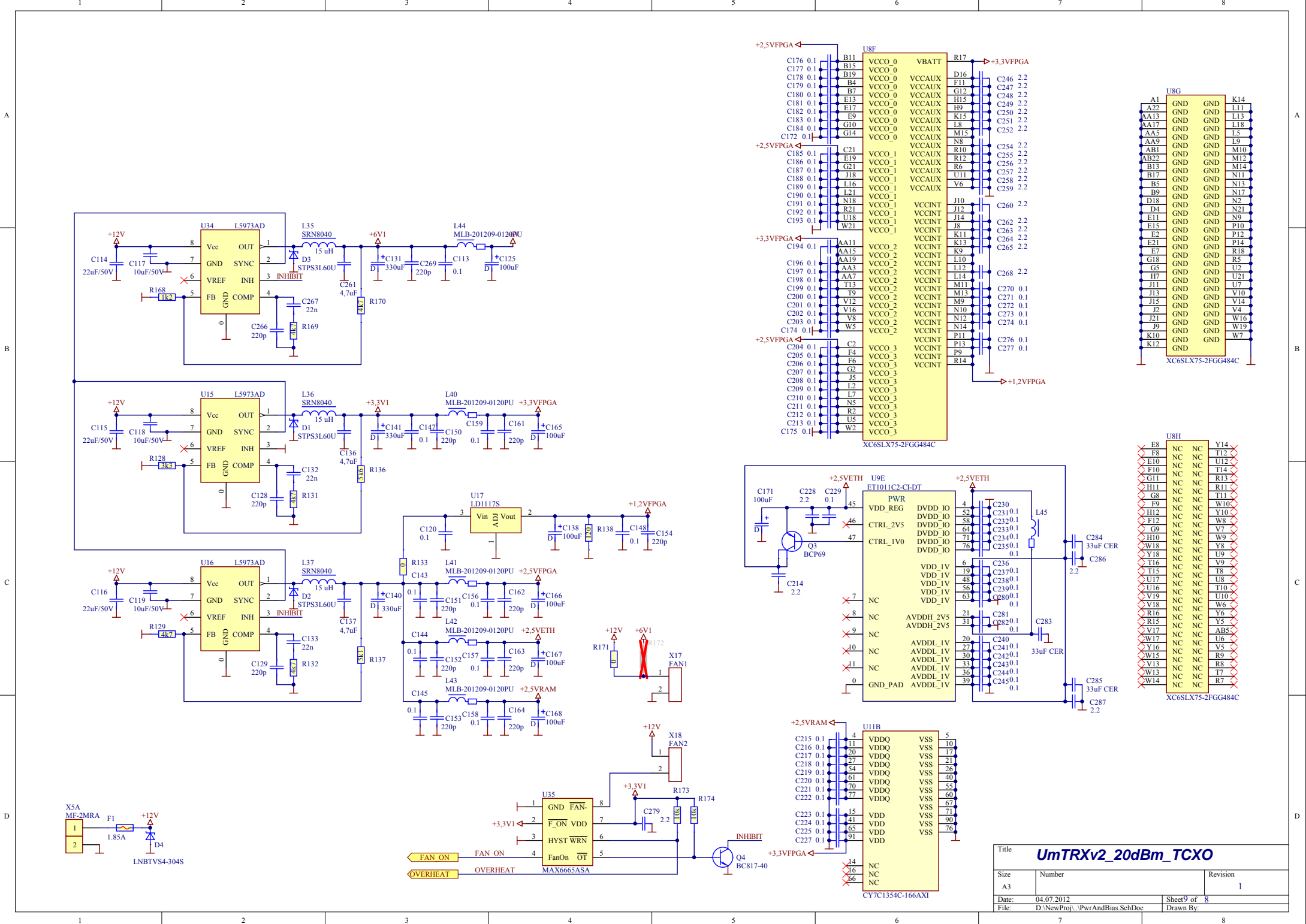
Title UmTRXv2_20dBm_TCXO		
Size A3	Number	Revision 1
Date: 04.07.2012	Sheet 5f 8	Drawn By:
File: D:\NewProj\...\Clocking_SchDoc		



Title		
UmTRXv2_20dBm_TCXO		
Size	Number	Revision
A3		1
Date:	04.07.2012	Sheet 6 of 8
File:	D:\NewProj\GBEthernet SchDoc	Drawn By:



Title		
UmTRXv2_20dBm_TCXO		
Size	Number	Revision
A3		1
Date:	04.07.2012	Sheet 7 of 8
File:	D:\NewProj\VEPROMConfig_SchDoc	Drawn By:



Title		
UmTRxv2_20dBm_TCXO		
Size	Number	Revision
A3		1
Date:	04.07.2012	Sheet9 of 8
File:	D:\NewProj\1\PwrAndBias.SchDoc	Drawn By: